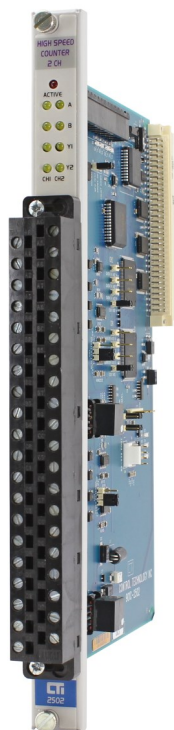


2502 2-Channel High Speed Counter Input Module



Description

The 2502 is a two-channel High Speed Counter Input Module designed to count incoming pulses from external sensors and provide process control outputs based on count status. It is compatible with the CTI 2500 Series[®] and Simatic[®] 505 PLC systems and a direct replacement for the Siemens[®] 505-7002. The 2502 provides two independent counter channels.

Features

- Replaces Siemens[®] 505-7002 with no rewiring
- Two independent high-speed 16-bit counter channels

Each counter has:

- pulse counter mode
- 1X, 2X, 4X quadrature counter modes
- 10 KHz count rate with minimum pulse width of 25µs
- two count inputs
- reset input
- inhibit input
- two outputs
- LED indicators

Specifications

Count Inputs:

Maximum Frequency

| Duty Cycle | Count Mode Frequency | Quadrature Mode Frequency |
|------------|----------------------|---------------------------|
| 10% | 10 KHz | 4 KHz |
| 20% | 25 KHz | 8 KHz |
| 25% | 30 KHz | 10 KHz |
| 30% | 35 KHz | 12 KHz |
| 40% | 50 KHz | 15 KHz |
| 50% | 45 KHz | 15 KHz |
| 60% | 35 KHz | 15 KHz |

On voltage: 2.76 VDC

Current On: 8 to 16 mA

Off voltage: 0.8 VDC

Off voltage: 0 to 1 mA

Reset and Inhibit Inputs:

On voltage: 4 to 24 VDC

Current On: 2 to 40 mA

Off voltage: -1.5 to 1.5 VDC

Off voltage: 0 to 0.75 mA

Outputs:

User voltage: 24 VDC max.

Voltage Drop: 1.8 VDC max. @ 400mA
1.0 VDC max. @ 25mA

Leakage Current: 500 µA max.

Max current: 500 mA

Connector: Removable

Wire Gauge: 14-22 AWG

Backplane Power: 3 Watts

Module Size: Single-wide

Shipping Weight: 1.5 lb (0.68 Kg)

Additional Product Information:

On CTI's Website you will find links to the 2500 Series Standard Environmental Specifications and the UL Agency Certificates of Compliance.



Control Technology Inc.

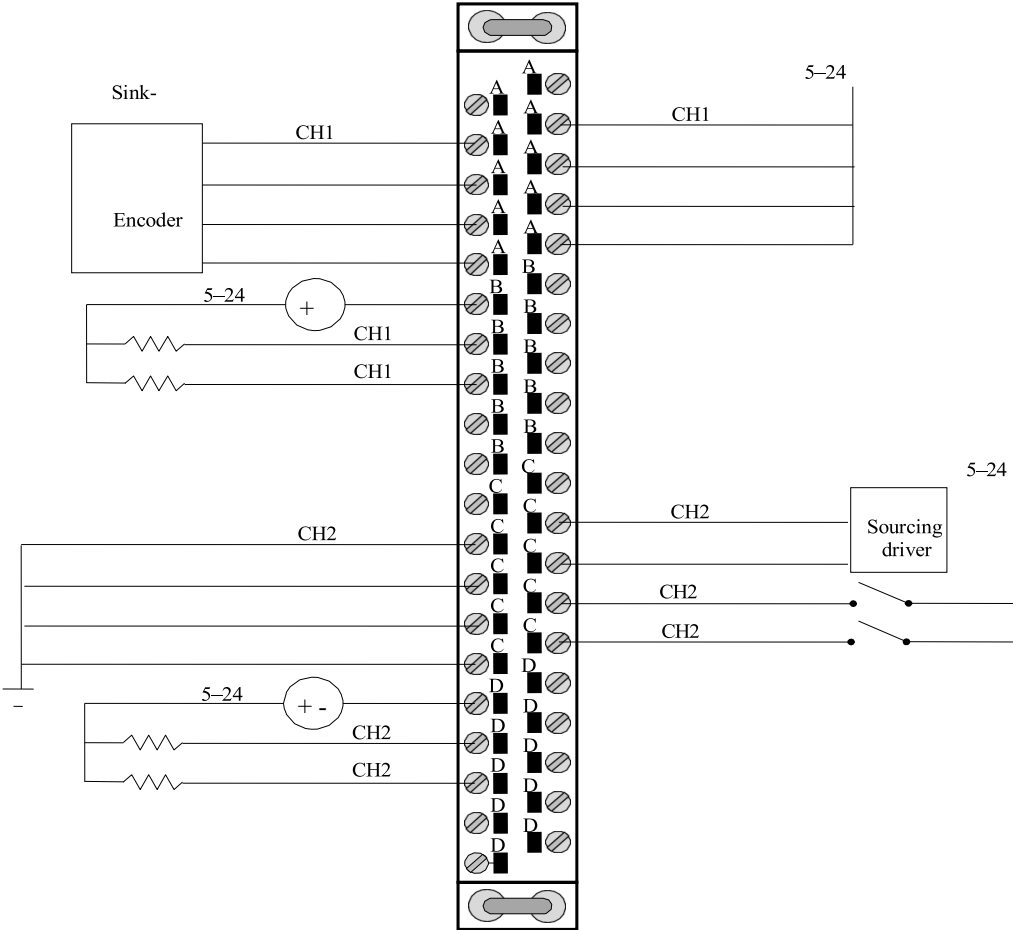
5734 Middlebrook Pike, Knoxville, TN 37921-5962

Phone: +1.865.584.0440 Fax: +1.865.584.5720

www.controltechnology.com

ROCK SOLID PERFORMANCE. TIMELESS COMPATIBILITY.

2502 2-Channel High Speed Counter Input



2502 Wiring Example

Note this module requires a 2500-40F Wiring Connector