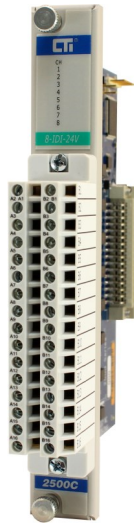




2500C-8-IDI-24V Discrete Input Module



DESCRIPTION

The 2500C-8-IDI-24V Module accepts a wide range of voltage signals. It is designed to accept both AC and DC voltage allowing the user to pick and choose ranges on a single module. Motor centers, optical sensors, limit switches and utility control are excellent examples of applications for this product

FEATURES

- Single wide module
- 8 Isolated channel to channel inputs
- Supports AC or DC voltage inputs
- Sourcing or sinking Inputs
- Channel On/Off Status Indication
- Uses CTI's 2500C-32F Connector
- Module supports hot swapping

2500C-8-IDI-24V Default Shipment Settings

Operation Mode	NA
Logon	8X
Signal Range	10 - 30 VAC/VDC

Input Specifications

Inputs per module	8
Module Logon	8X
Signal Range	10 - 30 VAC/VDC
Input current	VAC 1.4 - 9.3mA VDC 2.9 - 9.3mA

Operating Characteristics for Typical Input

AC Voltage Input	Turn ON Time: 3.76 mS Turn OFF Time: 15.0mS
DC Voltage Input	Turn ON Time: 3.14mS Turn OFF Time: 13.7mS

Module Size	Single wide module
Connector	2500C-32F
Backplane Power (MAX)	0.002 watts No inputs ON .467 watts All input ON
Input ESD Protection	IEC 1000-4-2 LEVEL 4
Isolation	1500 VDC Channel to Backplane 1000 VDC Channel to Channel
Shipping Dimensions and Weight	223.84mm x 109.86mm x 34.93mm, 0.234kg
Operating Temperature Range	0°C to 60°C (32°F to 140°F)
Storage Temperature Range	-40°C to 85°C (-40°F to 185°F)
Relative Humidity	5% to 95% (non-condensing)
Agency Approvals Pending	UL, ULC, UL Class 1, Div 2, CE



Control Technology Inc.

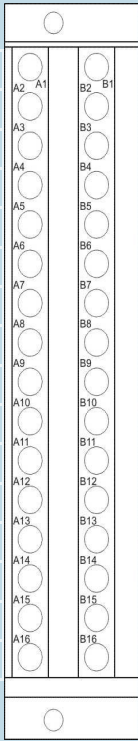
5734 Middlebrook Pike, Knoxville, TN 37921-5914
Phone: +1.865.584.0440 Fax: +1.865.584.5720
www.controltechnology.com





2500C-8-IDI-24V Discrete Input Module

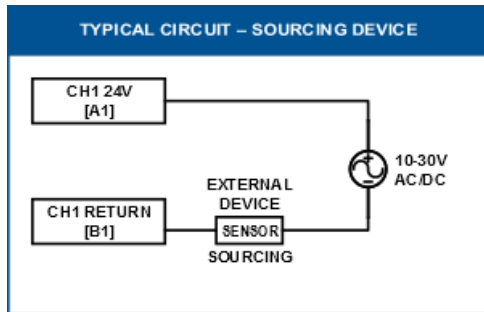
Channel 1	24V	A1	B1	Return	Channel 1
	Unused	A2	B2	Unused	
Channel 2	24V	A3	B3	Return	Channel 2
	Unused	A4	B4	Unused	
Channel 3	24V	A5	B5	Return	Channel 3
	Unused	A6	B6	Unused	
Channel 4	24V	A7	B7	Return	Channel 4
	Unused	A8	B8	Unused	
Channel 5	24V	A9	B9	Return	Channel 5
	Unused	A10	B10	Unused	
Channel 6	24V	A11	B11	Return	Channel 6
	Unused	A12	B12	Unused	
Channel 7	24V	A13	B13	Return	Channel 7
	Unused	A14	B14	Unused	
Channel 8	24V	A15	B15	Return	Channel 8
	Unused	A16	B16	Unused	



2500C-8-IDI-24V Wiring Connector

Note:
The 2500C-8-IDI-24V Discrete Input Modules use CTI Wiring Connector 2500C-32F. Please see the wiring connector specification table below. This connector is ordered separately from the module.

2500C-32F Specifications	
Connector Style	Removable
Number of Wiring Connections	32 point
Wire Gauge	14 to 22AWG
Screw Torque Value	5.22 lb-in
Current Rating	6A @ 300VAC
Insulation Stripping Length	0.24" 6mm
Connector Material	
Body:	Polycarbonate UL 94V0
Screw :	M3 Zinc plated Steel
Cage Clamp	Nickel Plated Brass
Socket Contact Spring:	Tin Plated Bronze
Retaining Screw:	M3 Zinc Plated Steel



Control Technology Inc.

5734 Middlebrook Pike, Knoxville, TN 37921-5914
 Phone: +1.865.584.0440 Fax: +1.865.584.5720
www.controltechnology.com

