

The 2500C-8-IDI-120V Module accepts a wide range of voltage signals. It is designed to accept both AC and DC voltage allowing the user to pick and choose ranges on a single module. Motor centers, optical sensors, limit switches and utility control are excellent examples of applications for this product

- Single wide module
- 8 Isolated channel to channel inputs
- Supports AC or DC voltage inputs
- Sourcing or sinking Inputs
- Channel On/Off Status Indication
- Uses CTI's 2500C-32F Connector
- Module supports hot swapping

2500C-8-IDI-120V Default Shipment Settings	
Operation Mode	NA
Logon	8X
120VAC/VDC Signal Range Wiring Dependent	79VAC/VDC -132VAC/VDC
240 VAC Signal Range Wiring Dependent	154VAC - 265VAC

	8
	8X
	79-132 VAC/VDC
	164-265 VAC
	VAC 1.4 - 9.3mA VDC 2.9 - 9.3mA
	Turn ON Time: 3.76mS Turn OFF Time: 15.0mS
	Turn ON Time: 3.14mS Turn OFF Time: 13.7mS

	Single wide module
	2500C-32F
	0.010 watts No inputs ON 0.457 watts All inputs ON
	IEC 1000-4-2 LEVEL 4
	1500 VDC Channel to Backplane 1000 VDC Channel to Channel
	223.84mm x 109.86mm x 34.93mm, 0.234kg
	0°C to 60°C (32°F to 140°F)
	-40°C to 85°C (-40°F to 185°F)
	5% to 95% (non-condensing)
	UL, ULC, UL Class 1, Div 2, CE
	120 VAC/VDC and the 240VAC ranges are selected by Connector Channel Wiring. See the wiring connector diagram on the next page of this Product Bulletin.



Control Technology Inc.

5734 Middlebrook Pike, Knoxville, TN 37921-5914
 Phone: +1.865.584.0440 Fax: +1.865.584.5720
www.controltechnology.com

CE



Channel 1	120V	A1		B1	Common	Channel 1
	Unused	A2		B2	240VAC	
Channel 2	120V	A3		B3	Common	Channel 2
	Unused	A4		B4	240VAC	
Channel 3	120V	A5		B5	Common	Channel 3
	Unused	A6		B6	240VAC	
Channel 4	120V	A7		B7	Common	Channel 4
	Unused	A8		B8	240VAC	
Channel 5	120V	A9		B9	Common	Channel 5
	Unused	A10		B10	240VAC	
Channel 6	120V	A11		B11	Common	Channel 6
	Unused	A12		B12	240VAC	
Channel 7	120V	A13		B13	Common	Channel 7
	Unused	A14		B14	240VAC	
Channel 8	120V	A15		B15	Common	Channel 8
	Unused	A16		B16	240VAC	

Note:

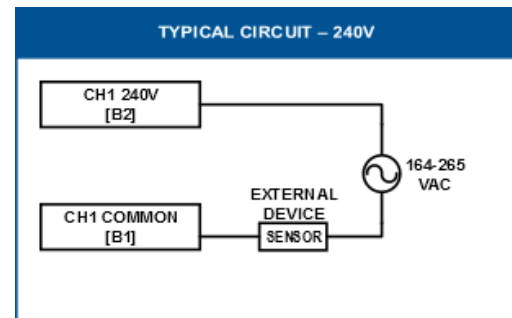
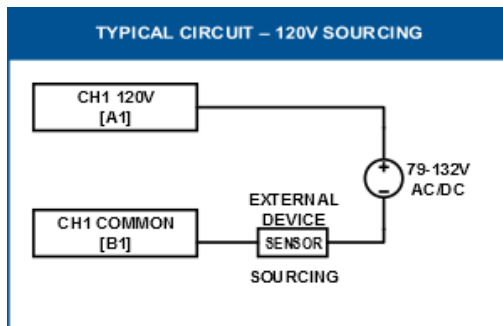
The 2500C-8-IDI-120V Discrete Input Module uses CTI Wiring Connector 2500C-32F. Please see the wiring connector specification table below. This connector is ordered separately from the module.

2500C-32F Specifications

Connector Style	Removable
Number of Wiring Connections	32 point
Wire Gauge	14 to 22AWG
Screw Torque Value	5.22 lb-in
Current Rating	6A @ 300VAC
Insulation Stripping Length	0.24" 6mm

Connector Material

Body:	Polycarbonate UL 94V0
Screw :	M3 Zinc plated Steel
Cage Clamp	Nickel Plated Brass
Socket Contact Spring:	Tin Plated Bronze
Retaining Screw:	M3 Zinc Plated Steel



Control Technology Inc.

5734 Middlebrook Pike, Knoxville, TN 37921-5914
 Phone: +1.865.584.0440 Fax: +1.865.584.5720
www.controltechnology.com

