



2500C-16-IDI-120V Discrete Input Module



DESCRIPTION

The 2500C-16-IDI-120V Module accepts a wide range of voltage signals. It is designed to accept both AC and DC voltage allowing the user to pick and choose ranges on a single module. Motor centers, optical sensors, limit switches and utility control are excellent examples of applications for this product

FEATURES

- Single wide module
- 16 Isolated channel to channel inputs
- Supports AC or DC voltage inputs
- Sourcing or sinking Inputs
- Channel On/Off Status Indication
- Uses CTI's 2500C-32F Connector

2500C-16-IDI-120V Default Shipment Settings

Operation Mode	NA
Logon	16X
Signal Range	79-132VAC/VDC

Input Specifications	
Inputs per module	16
Module Logon	16X
Signal Range	79-132 VAC/VDC
Input current	VAC 1.4 - 9.3mA VDC 2.9 - 9.3mA
Operating Characteristics for Typical Input	
AC Voltage Input	Turn ON Time: 3.76 mS Turn OFF Time: 15.0mS
DC Voltage Input	Turn ON Time: 3.14mS Turn OFF Time: 13.7mS
Module Size	Single wide module
Connector	2500C-32F
Backplane Power (MAX)	0.077 watts no inputs ON 1.193 watts all inputs ON
Input ESD Protection	IEC-1000-4-2 Level 4
Isolation	1500 VDC Channel to Backplane 1000 VDC Channel to Channel
Shipping Dimensions and Weight	223.84mm x 109.86mm x 34.93mm, 0.234kg
Operating Temperature Range	0°C to 60°C (32°F to 140°F)
Storage Temperature Range	-40°C to 85°C (-40°F to 185°F)
Relative Humidity	5% to 95% (non-condensing)
Agency Approvals Pending	UL, ULC, UL Class 1, Div 2, CE



Control Technology Inc.

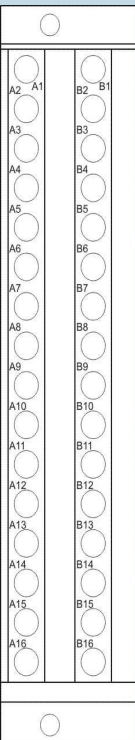
5734 Middlebrook Pike, Knoxville, TN 37921-5914
Phone: +1.865.584.0440 Fax: +1.865.584.5720
www.controltechnology.com





2500C-16-IDI-120V Discrete Input Module

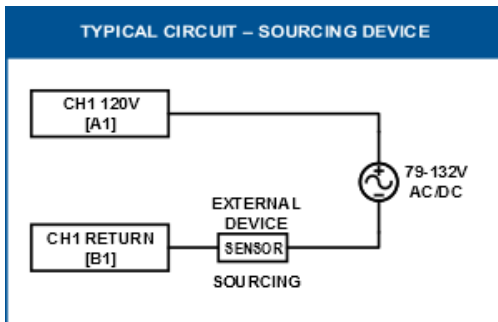
Channel 1	120VAC	A1	B1	Return	Channel 1
Channel 2	120VAC	A2	B2	Return	Channel 2
Channel 3	120VAC	A3	B3	Return	Channel 3
Channel 4	120VAC	A4	B4	Return	Channel 4
Channel 5	120VAC	A5	B5	Return	Channel 5
Channel 6	120VAC	A6	B6	Return	Channel 6
Channel 7	120VAC	A7	B7	Return	Channel 7
Channel 8	120VAC	A8	B8	Return	Channel 8
Channel 9	120VAC	A9	B9	Return	Channel 9
Channel 10	120VAC	A10	B10	Return	Channel 10
Channel 11	120VAC	A11	B11	Return	Channel 11
Channel 12	120VAC	A12	B12	Return	Channel 12
Channel 13	120VAC	A13	B13	Return	Channel 13
Channel 14	120VAC	A14	B14 </td <td>Return</td> <td>Channel 14</td>	Return	Channel 14
Channel 15	120VAC	A15	B15	Return	Channel 15
Channel 16	120VAC	A16	B16	Return	Channel 16



2500C-16-IDI-120V Wiring Connector

Note:
The 2500C-16-IDI-120V Discrete Input Modules use CTI Wiring Connector 2500C-32F. Please see the wiring connector specification table below. This connector is ordered separately from the module.

2500C-32F Specifications	
Connector Style	Removable
Number of Wiring Connections	32 point
Wire Gauge	14 to 22AWG
Screw Torque Value	5.22 lb-in
Current Rating	6A @ 300VAC
Insulation Stripping Length	0.24" 6mm
Connector Material	
Body:	Polycarbonate UL 94V0
Screw :	M3 Zinc plated Steel
Cage Clamp	Nickel Plated Brass
Socket Contact Spring:	Tin Plated Bronze
Retaining Screw:	M3 Zinc Plated Steel



Control Technology Inc.

5734 Middlebrook Pike, Knoxville, TN 37921-5914
 Phone: +1.865.584.0440 Fax: +1.865.584.5720
www.controltechnology.com

