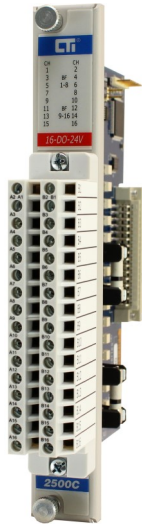




2500C-16-DO-24V Discrete Output Module



Output Specifications

Outputs per module	16
Module Logon	8X /16Y
Output Voltage Range	11 to 30 VDC
Maximum Output current per Channel - Preliminary	.5 A @ 25°C .25 @ 60°C
Maximum Output current per Group	4A at 25°C
Maximum Surge Current	3A for 15 sec
“ON” State Voltage Drop	83 mV
“OFF” State Leakage Current	0.05 µA
Turn ON Time	.5 mS
Turn OFF Time	10 mS
Fusing	Groups of 8
Fuses: 2 Field Replaceable Fuses	6.3 amp, 250V Type Littlefuse #23016300021 Schurter 0034.0909

DESCRIPTION

The 2500C-16-DO-24V Module outputs a wide range of DC voltage signals. It is designed to provide 16 solid state output circuits to switch on or off external devices such as pilot lamps, motor starters or solenoids. The 2500C-16-DO-24V is designed to switch an externally supplied 24VDC. LEDs provide visual indication for output and fuse status.

FEATURES

- Single wide module
- 16 channels isolated in groups of 8 channels
- Each group is individually fused
- Sourcing Outputs
- Channel On/Off Status Indication
- Blown fuse indication and reporting for each group
- Uses CTI's 2500C-32F Connector
- Module supports hot swapping

Module Size	Single wide module
Connector	2500C-32F
Backplane Power (MAX)	1.25 watts
Input ESD Protection	IEC 1000-4-2 Level 4
Isolation	1500 VDC Channel to Backplane 1000 VDC Group to Group
Shipping Dimensions and Weight	223.84mm x 109.86mm x 34.93mm, 0.234kg
Operating Temperature Range	0°C to 60°C (32°F to 140°F)
Storage Temperature Range	-40°C to 85°C (-40°F to 185°F)
Relative Humidity	5% to 95% (non-condensing)
Agency Approvals Pending	UL, ULC, UL Class 1, Div 2, CE

2500C-16-DO-24V Default Shipment Settings

Operation Mode	NA
Logon	8X /16Y
Output Range	11-30VDC



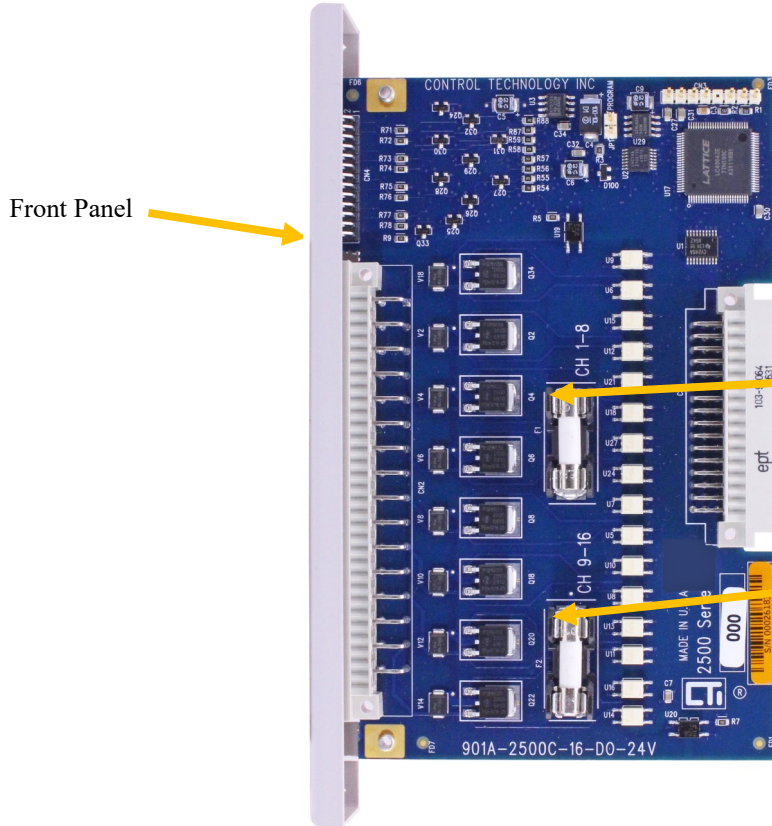
Control Technology Inc.

5734 Middlebrook Pike, Knoxville, TN 37921-5914
 Phone: +1.865.584.0440 Fax: +1.865.584.5720
 www.controltechnology.com





2500C-16-DO-24V Discrete Output Module

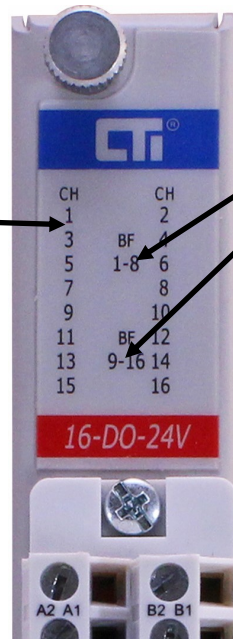


Front Panel →

Note: Each Group of 8 Channels is individually fused.

→ Group 1 Fuse

→ Group 2 Fuse



Channel ON/OFF Status LED
LED is illuminated BLUE when the output is turned ON.

Blown Fuse LED

The Blown Fuse LED is illuminated when the Module detects a Blown Fuse. There is one LED per Group.

Blown Fuse Operation Overview..
Blown Fuse detection works when the Output Channel is wired and the output is turned on. If the fuse is blown the LED will turn ON and the associated X address will equal 1. If the Output Channel is turned off the LED indicator will turn OFF and the associated Blown Fuse Bit will equal 0 . The module does not Latch the Blown Fuse Input so the user application should trap for the reported Blown Fuse Bit while the Output is turned ON. This will allow logging and notification of the blown fuse event to your HMI stations and other reporting devices. Blown Fuse reporting on this module is for each Group of 8 channels.



Control Technology Inc.

5734 Middlebrook Pike, Knoxville, TN 37921-5914
Phone: +1.865.584.0440 Fax: +1.865.584.5720
www.controltechnology.com





2500C-16-DO-24V Discrete Output Module

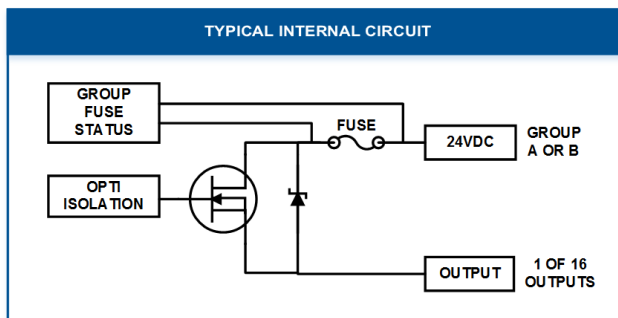
Channel	Output	Terminal	Terminal	Terminal	Terminal
Channel 1	Output	A1	A2	B1	+24 VDC Group A
Channel 2	Output	A2	A3	B2	
Channel 3	Output	A3	A4	B3	
Channel 4	Output	A4	A5	B4	
Channel 5	Output	A5	A6	B5	
Channel 6	Output	A6	A7	B6	
Channel 7	Output	A7	A8	B7	
Channel 8	Output	A8	A9	B8	
Channel 9	Output	A9	A10	B9	+24 VDC Group B
Channel 10	Output	A10	A11	B10	
Channel 11	Output	A11	A12	B11	
Channel 12	Output	A12	A13	B12	
Channel 13	Output	A13	A14	B13	
Channel 14	Output	A14	A15	B14	
Channel 15	Output	A15	A16	B15	
Channel 16	Output	A16		B16	

2500C-16-DO-24V Wiring Connector

Note:
The 2500C-16-DO-24V Discrete Output Module uses CTI Wiring Connector 2500C-32F. Please see the wiring connector specification table below. This connector is ordered separately from the module.

2500C-32F Specifications	
Connector Style	Removable
Number of Wiring Connections	32 point
Wire Gauge	14 to 22AWG
Screw Torque Value	5.22 lb-in
Current Rating	6A @ 300VAC
Insulation Stripping Length	0.24" 6mm

Connector Material	
Body:	Polycarbonate UL 94V0
Screw :	M3 Zinc plated Steel
Cage Clamp	Nickel Plated Brass
Socket Contact Spring:	Tin Plated Bronze
Retaining Screw:	M3 Zinc Plated Steel



2500C-16-DO-24V PLC Log on 8X/16Y															
Blown Fuse Reporting 8X								Blown Fuse = 1							
Blown Fuse Group A Channels 1 through 8								Blown Fuse Group B Channels 9 through 16							
X1								X2							
X3 through X8 are not used															
Output Channel 16Y OFF = 0 ON = 1															
CH 1	CH 2	CH 3	CH 4	CH 5	CH 6	CH 7	CH 8	CH 9	CH 10	CH 11	CH 12	CH 13	CH 14	CH 15	CH 16
Y9	Y10	Y11	Y12	Y13	Y14	Y15	Y16	Y17	Y18	Y19	Y20	Y21	Y22	Y23	Y24



Control Technology Inc.
5734 Middlebrook Pike, Knoxville, TN 37921-5914
Phone: +1.865.584.0440 Fax: +1.865.584.5720
www.controltechnology.com

