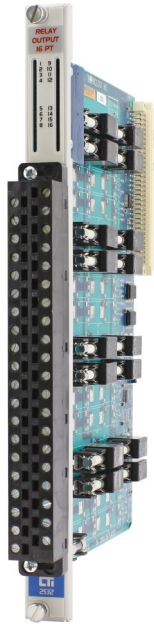


2532 16-Point Form-A Relay Output Module



Description

The 2532 16-Point Form A Relay Output Module provides sixteen Form A outputs isolated in groups of four for the SIMATIC® 505 I/O base. The module utilizes relay output circuits to switch on or off external devices such as pilot lamps, motor starters, or solenoids. The 2532 is designed to switch externally supplied 15 to 240 VAC and 15 to 30 VDC. The internal logic signals are isolated from the external outputs to 2100 VDC.

Features

- SIMATIC® 505 base format
- 16 Form A relay outputs
- Replaces Siemens® 505-4916 with no rewiring
- Isolated 3000 VDC group-to-group
- Isolation in groups of 4
- Wide 15-240 VAC and 15-30 VDC output range
- 4.0 Amps per output
- Individually fused outputs
- Single-wide module

Specifications

Outputs per module: 16

Isolation: 2100 VDC channel-to-backplane

3000 VDC group-to-group

Output voltage: 15 - 240 VAC, 15 - 30 VDC

Indicators: 16 individual LEDs

Maximum output current:

4A per point (resistive)

8A per group (resistive)

Switching rate:

5 ops/sec (no load),

0.5 ops/sec (rated load)

Type of contact: Form A

Type of outputs: Individually fused

Minimum contact load: 10mA @ 5 VDC

Contact life:

@ full rated current, 4A = 400,000 cycles

@ 2A = 1,000,000 cycles

Backplane Power: 1.7 Watts

User Power Supply: 24VDC \pm 10% 300 mA (all outputs ON)

Fuses: field replaceable, channel and unit

16, 5 amp, 250V,

1, 1 amp, 250V,

Littelfuse #215.005

Littelfuse #217.001

Schurter #0001.2511

Schurter #034.1516

Connector: 2500-40F sold separately

Wire Gauge: 14 - 22 AWG

Module Size: Single-wide

Shipping Weight: 1.5 lb. (0.68 Kg)

Additional Product Information:

On CTI's Website you find will links to the 2500 Series Std Environmental Specifications and the UL Agency Certificates of Compliance .

ROCK SOLID PERFORMANCE. TIMELESS COMPATIBILITY.



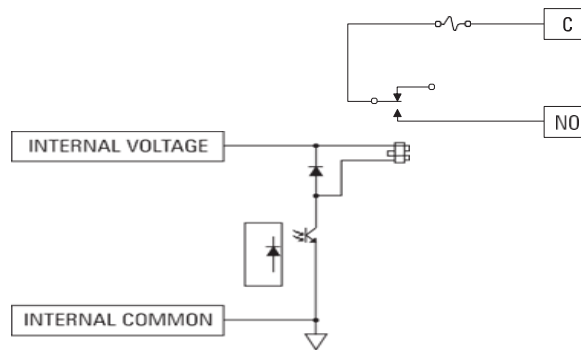
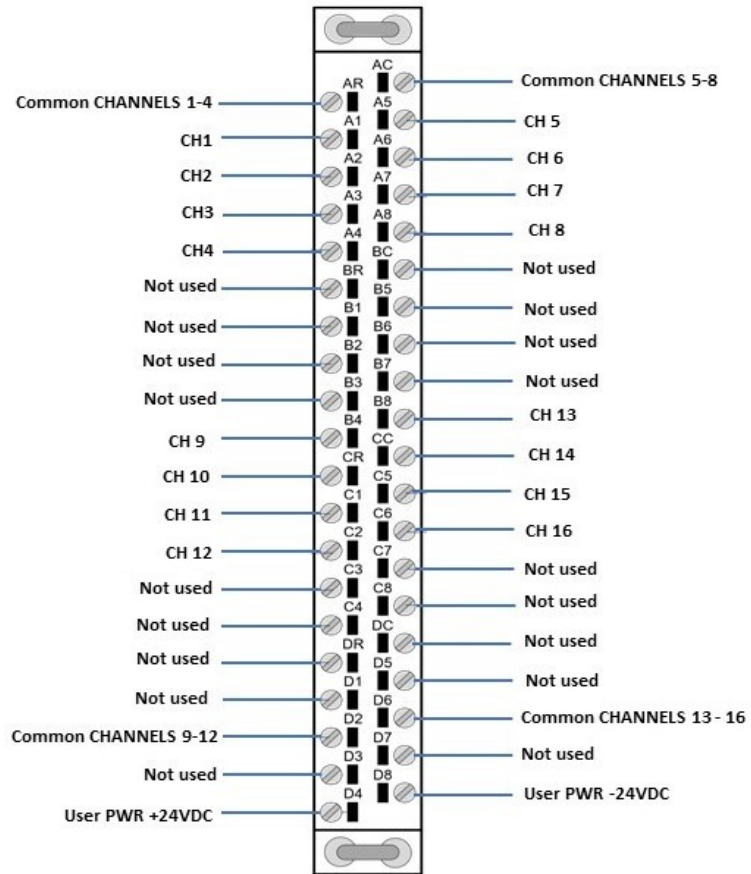
Control Technology Inc.

5734 Middlebrook Pike, Knoxville, TN 37921-5962

Phone: +1.865.584.0440 Fax: +1.865.584.5720

www.controltechnology.com

2532 16-Point Form-A Relay Output Module



Typical Internal Circuit

WARNING:
The module must not be inserted into the I/O rack while rack power is applied.

ROCK SOLID PERFORMANCE. TIMELESS COMPATIBILITY.